



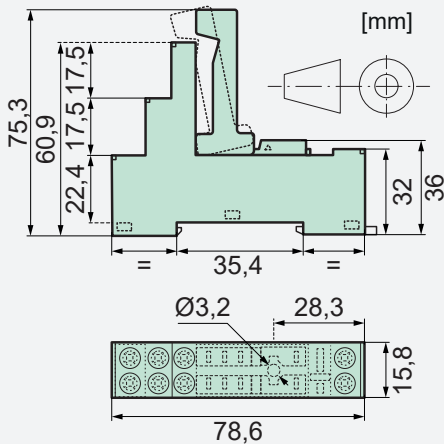
DIN rail socket SRD-GR2A KV2 (ZM825)

Socket Data

- With plastic retaining bracket and marking tag (1 pc)
- Plug-in socket with screw terminals
- Assembly on DIN rail 35 mm or single-hole mounting with M3 screw



Dimensions



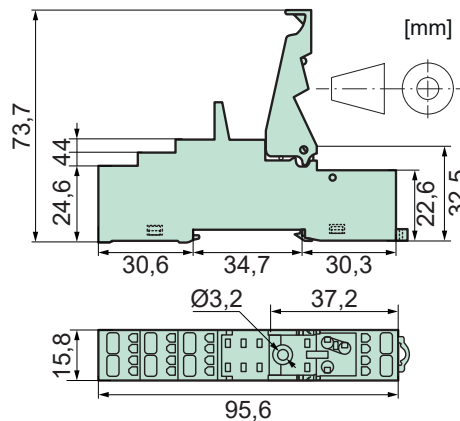
DIN rail socket SRD-GR2A KV2 PIK (ZMP825)

Socket Data

- With plastic retaining bracket and marking tag (1 pc)
- Socket with push in contacts (PIK)
- Assembly on DIN rail 35 mm or single-hole mounting with M3 screw



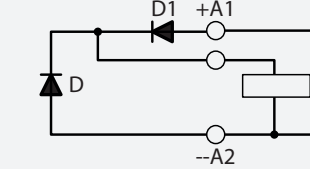
Dimensions



Modules

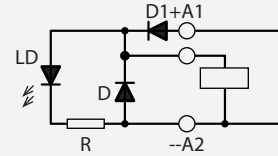
Module SRD-GR2A M01

- For DIN rail socket SRD-GR2A KV2 and SRD-GR2A KV2 PIK
- With free-wheeling diode
- 6VDC to 220VDC



Module SRD-GR2A M03

- For DIN rail socket SRD-GR2A KV2 and SRD-GR2A KV2 PIK
- Free-wheeling diode with green LED
- 6VDC to 24VDC



Technical Data

| | |
|--|--|
| Rated current | 2 x 8A |
| Rated voltage | 250 VAC |
| Test voltage coil/contacts | 5000 Vrms |
| Please also observe the test voltage of the relay! | |
| Insulation class IEC 60664-1 | 250 VAC |
| Creepage resistance | CTI 250 |
| Weight | approx. 46 g |
| Ambient temperature | -40°C to +70°C |
| Connection cross-sections | |
| for wire | 1 x 6 mm ² or 2 x 2,5 mm ² |
| for wire end ferrules | 1 x 6 mm ² or 2 x 2,5 mm ² |
| Maximum torque | 0,5 Nm |
| Packing unit | 20 pcs |
| Approvals | UL, cUL |
| UL File | E135170 |

Technical Data

| | |
|--|----------------------------------|
| Rated current | 2 x 8A |
| Rated voltage | 250 VAC |
| Test voltage coil/contacts | 5000 Vrms |
| Please also observe the test voltage of the relay! | |
| Insulation class IEC 60664-1 | 250 VAC |
| Creepage resistance | CTI 250 |
| Weight | approx. 40 g |
| Ambient temperature | -40°C to +70°C |
| Cross sections for connection with | |
| wired | 2x (0,2 ... 1,5) mm ² |
| with end sleeves for strands | 2x (0,2 ... 1,5) mm ² |
| Maximum torque | 0,5 Nm |
| Packing unit | 20 pcs |
| Approvals | UL, cUL |
| UL File | E135170 |