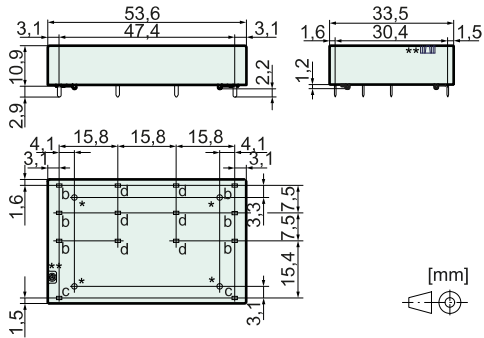




Features

- Relay with forcibly guided contacts according to IEC 61810-3
- Application type A
- Protective separation (see insulation data)
- Suitable for print mounting
- SMD placement under the relay possible
- Height only 10,9 mm
- Contact assembly SIF422: 4 NO + 2 NC

Dimensions



* do not drill under the relay if SMD is mounted
** open vent stack

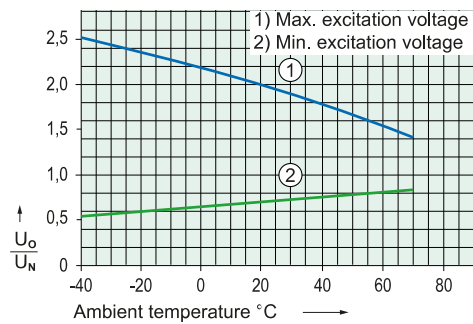
Pin dimension b	1,0 x 0,3 mm
Pin dimension c	1,0 x 0,4 mm
Pin dimension d	1,0 x 0,5 mm
Recommended drilling on PCB	Ø 1,3 mm

Coil data at 20 °C

Nominal power (typ.)	0,66 W
Holding power (typ.)	0,20 W
Coil limit temperature	120 °C

Nominal voltage (VDC)	Min. Pick-up voltage (VDC)	Min. Drop-out voltage (VDC)	Nominal current (mA)	Resistance (Ohm)
5,0	3,5	0,5	133	38 (1 ± 10 %)
12,0	8,4	1,2	56	215 (1 ± 10 %)
18,0	12,6	1,8	39	490 (1 ± 10 %)
24,0	16,8	2,4	28	870 (1 ± 10 %)
48,0	33,6	4,8	14	3460 (1 ± 10 %)
60,0	42,0	6,0	11	5400 (1 ± 13 %)
110,0	77,0	11,0	6	18300 (1 ± 15 %)

Excitation voltage range



Test conditions:

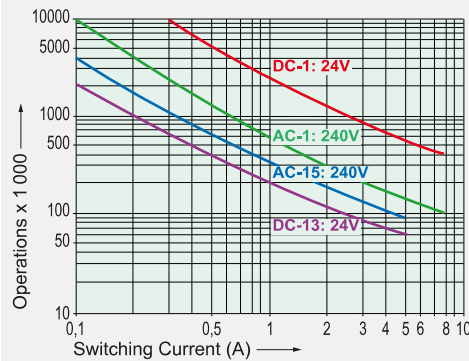
- Graph 1: Contact current 5 A MAX
- Graph 2: without previous operation
- Free-standing relay on PCB
- Duty cycle 100%

Contact data

Contact material	AgCuNi + 0,2, ..., 0,4 µm Au
Type of contact	Single contact with notched crown
Rated switching power	2000 VA
250 V / 8 A / AC-1 (max.)	
Electr. life time (0,1 Hz, rel. duty cycle 10%)	100 000
Inrush current	30 A for 20 ms
Switching voltage range	5, ..., 250 V DC / AC
Switching current range*	3 mA, ..., 8 A
Switching power range*	40 mW, ..., 2000 W (VA)
Contact resistance as new (max.)	100 mΩ
Short circuit resistance of NO contacts**	1000 A with pre-fuse SCPD 10 A gG / gL (fuse)
Short circuit resistance of NC contacts**	1000 A with pre-fuse SCPD 6 A gG / gL (fuse)

* Reference values ** Prospective short-circuit current

Electrical life (NO contacts)

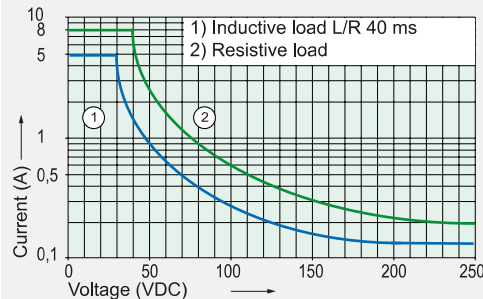


Switching capacity (IEC 61810-1)	
AC-1:	240 V / 8 A MAX
AC-15:	240 V / 5 A MAX
DC-1:	24 V / 8 A MAX
DC-13:	24 V / 5 A / 0,1 Hz MAX

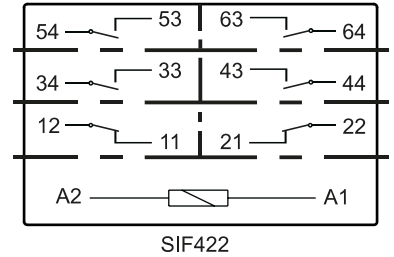
Switching capacity (UL 508)

Continuous current per contact at load of:	
1 or 2 contacts	8 A MAX
3 contacts	6 A MAX
4 contacts	4,5 A MAX

Contact load limit curve (DC)



Circuit diagram (top view)



Insulation data

Rated insulation voltage (IEC 60664-1)	250 VAC
Double or reinforced insulation	-----
- Air and creepage distance (min.)	5,5 mm
- Test voltage	4000 V _{rms} / 1 min
Open contact: Test voltage*	1500 V _{rms} / 1 min
Creepage resistance	CTI 175
Pollution degree	2
Overvoltage category	III
Insulation resistance (min.)	100 MΩ
- Test voltage	500 VDC

* Initial value

Mechanical data

Mechanical lifetime (min.)	10 x 10 ⁶ operations
Switching frequency (max.)	15 Hz
Response time (NO closed) (typ.)	20 ms
Drop-out time (NC closed) (typ.)*	8 ms
Bounce time (typ.)	NO: 1,5 ms / NC: 15 ms
Shock resistance (16 ms) (min.)	NO: 10g / NC: 6g
Vibration resistance (10-200 Hz) (min.)	NO: 10g / NC: 2g
Weight	approx. 35 g
Mounting position	any
Mounting distance (min.)	5 mm

* without coil wiring

Other data

Ambient temperature	-40 °C, ..., +70 °C
Thermal resistance	47 K / W
Protection class	RT II
Solder bath temperature	270 °C / 5 s
Test method (heating)	A (group assembly)
Approvals	cULus, TÜV
Flammability class	UL 94 V-0
UL File	E188953 Sec.6

Options, Accessories

Other coil versions	possible
Coils accord. to EN 50155 (railway applications)	possible

Product key

SIF	4	2	2	24VDC	XX
SIF	Type designation				
4	Number of contacts NO				
2	Number of contacts NC				
2	Connection technology	2 = Solder terminals			
24VDC	Nominal coil voltage				
XX	Options				