

Mounting rail socket SRD-SIS3

Socket for the relay series SIS 2 and SIS 3
with pin length 3,8 mm

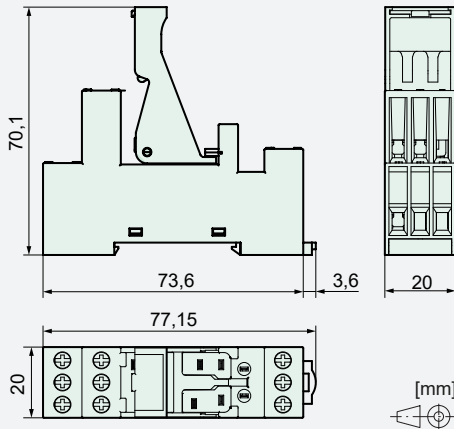


Features

- Plug-in socket with screw terminals
- For relays of the SIS 2 and SIS 3 series with 3,8 mm pin length
- With plastic retaining bracket
- Mounting on 35 mm mounting rail (IEC 60715)



Dimensions

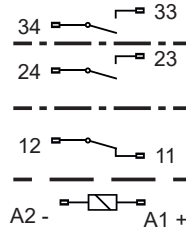


Technical Data

Limit continuous current*	6 A
Rated voltage	250 VAC
Connections:	
- Cross sections for wire	2 x 2,5 mm ²
- Cross sections for stranded wire	2 x 1,5 mm ²
- Torque	max. 0,8 Nm

*note max. contact load in the relay data sheet

Circuit diagram



Insulation data

Basic insulation	at 250 VAC
--- Air and creepage distance	>4 mm
Test voltage	2500 V _{rms} / 1 min
Double or reinforced insulation	at 250 VAC
- - - Air and creepage distance	>5,5 mm
Test voltage	4000 V _{rms} / 1 min
Creepage resistance	CTI 250
Pollution degree	2
Overvoltage category	III

Additional data

Weight	approx. 45 g
Ambient temperature	-25°C ... +70°C

Tests, regulations, standards

Approvals	UL, cULus
UL File	E238167
Insulation group according to IEC 60664-1	250 VAC
Standards	IEC 61810-1, UL 508

Options, Accessories

Display and protection modules
SRD-SGR2-M01, SRD-SGR-M03, SRD-SGR-M05

Mounting instructions

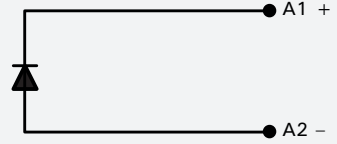
Mounting on 35 mm mounting rail (IEC 60715)

Product key

	SRD	SIS3
Socket type		
Relay series		

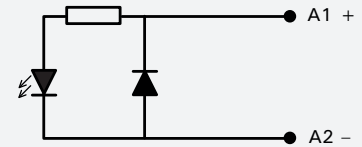
Module SRD-SGR2-M01

- For mounting rail socket SRD-SGR2 and SRD-SIS3
- Integrated freewheeling diode
- Suitable for 6 VDC to 230 VDC (+ at terminal A1)



Module SRD-SGR2-M03

- For mounting rail socket SRD-SGR2 and SRD-SIS3
- Integrated freewheeling diode
- Green LED with current limiting resistor
- Suitable for 6 VDC to 24 VDC(+ at terminal A1)



Module SRD-SGR2-M05

- For mounting rail socket SRD-SGR2 and SRD-SIS3
- Green LED and reverse polarity protection
- Suitable for 6 VDC to 24 VDC (+ at terminal A1)

