

Mounting rail socket SRD-SIM4 for relays SIM 4

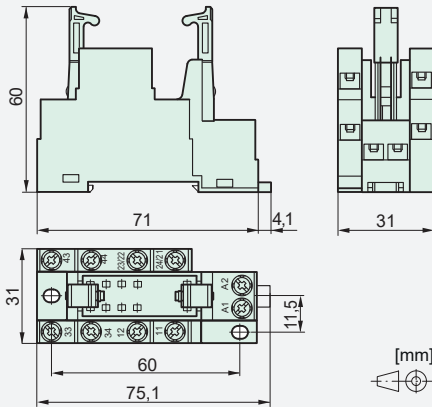


Features

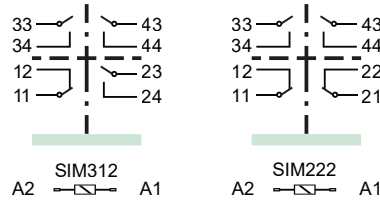
- Plug-in socket with screw terminals
- For relay series SIM 4
- With plastic retaining bracket
- Mounting on 35 mm mounting rail (IEC 60715)
- Mounting with 2 x M3 screws



Dimensions



Circuit diagram



Insulation data

Basic insulation	at 250 VAC
Air and creepage distance	>4 mm
Test voltage	2500 V _{rms} / 1 min
Double or reinforced insulation	at 250 VAC
Air and creepage distance	>5,5 mm
Test voltage	3000 V _{rms} / 1 min
Double or reinforced insulation	at 250 VAC
Air and creepage distance	>14 mm
Test voltage	4000 V _{rms} / 1 min
Creepage resistance	CTI 250
Pollution degree	2
Overvoltage category	III

Additional data

Weight	approx. 65 g
Ambient temperature	-25°C ... +70°C

Tests, regulations, standards

Approvals	cULus
UL File	E238167
Insulation group according to IEC 60664-1	250 VAC
Standards	IEC 61810-1, UL 508

Options, Accessories

none available

Technical Data

Limit continuous current*	8 A
Rated voltage	250 VAC
Connections:	
- Cross sections for wire	2 x 2,5 mm ²
- Cross sections for stranded wire	2 x 1,5 mm ²
- Torque	max. 0,8 Nm

*note max. contact load in the relay data sheet

Mounting instructions

Mounting	on 35 mm mounting rail (IEC 60715)
Mounting	with 2 x screw M3
- Torque	max. 1,28 Nm

Product key

SRD	SIM4
Socket type	Relay series