

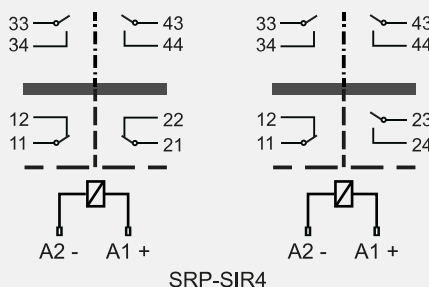


### Features

- Plug-in socket with print connections
- For relay series SIR4
- With plastic retaining bracket



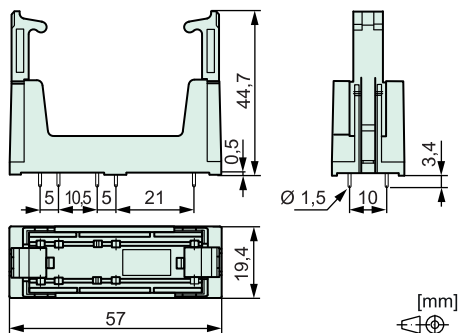
### Circuit diagram (top view)



### Options, Accessories

none available

### Dimensions



### Technical data

Limit continuous current*	8 A
Rated voltage	250 VAC

\*max. note max. contact load in the relay data sheet

### Insulation data

Rated insulation voltage (IEC 60664-1)	250 VAC
Basic insulation	— — — —
- Air and creepage distance (min.)	4 mm
- Test voltage	2500 V <sub>rms</sub> / 1 min
Double or reinforced insulation	- - - - -
- Air and creepage distance (min.)	8 mm
- Test voltage	4000 V <sub>rms</sub> / 1 min
Double or reinforced insulation	— — — —
- Air and creepage distance (min.)	10 mm
- Test voltage	5000 V <sub>rms</sub> / 1 min
Creepage resistance	CTI 250
Pollution degree	2
Overvoltage category	III

### Mechanical data

Weight	approx. 15 g
--------	--------------

### Other data

Ambient temperature	-25 °C ... +70 °C
Approvals	cULus
UL File	E301947

### Mounting instructions

Mounting	on PCB
----------	--------

### Product key

SRP	SIR4	
SRP	Socket type	PCB socket
SIR4	Relay series	SIR4