

# Mounting rail socket

## SRD SIS3

for SIS2 and SIS3  
with pin length 3,8 mm

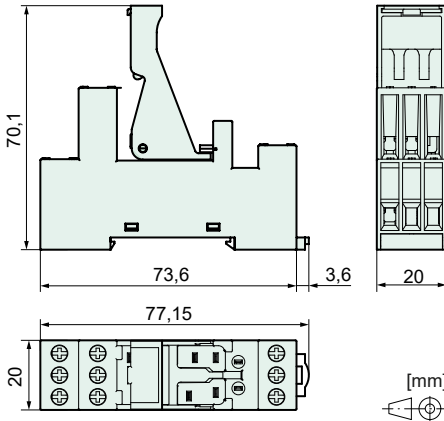


### Features

- Plug-in socket with push-in contacts (PIK)
- For relays of the SIS2 and SIS3 series with 3,8 mm pin length
- With plastic retaining bracket
- Mounting
  - on 35 mm mounting rail (IEC 60715)



### Dimensions

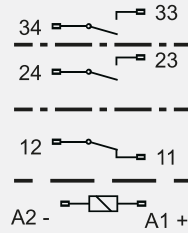


### Technical data

Limit continuous current*	6 A
Rated voltage	250 VAC
Connections:	
- Cross sections for wire	2 x 2,5 mm <sup>2</sup>
- Cross sections for stranded wire	2 x 1,5 mm <sup>2</sup>
- Torque	max. 0,8 Nm

\*max. note max. contact load in the relay data sheet

### Circuit diagram (top view)



### Insulation data

Rated insulation voltage (IEC 60664-1)	250 VAC
Basic insulation	— — — —
- Air and creepage distance (min.)	4 mm
- Test voltage	2500 V <sub>rms</sub> / 1 min
Double or reinforced insulation	— — — —
- Air and creepage distance (min.)	8 mm
- Test voltage	4000 V <sub>rms</sub> / 1 min
Creepage resistance	CTI 250
Pollution degree	2
Overvoltage category	III

### Mechanical Data

Weight	approx. 45 g
--------	--------------

### Other data

Ambient temperature	-25 °C ... +70 °C
Approvals	cULus
UL File	E238167

### Mounting instructions

Mounting	on 35 mm mounting rail (IEC 60715)
----------	------------------------------------

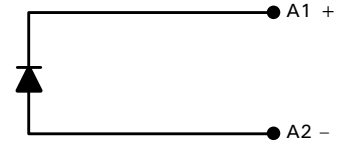
### Product key

SRD	SIS3	
SRD	Socket type	Mounting rail socket
SIS3	Relay series	SIS2 and SIS3

### Options, Accessories

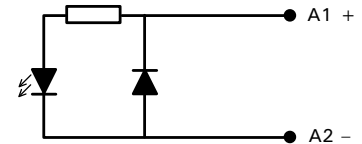
#### SRD SGR2 M01

- Integrated freewheeling diode
- Suitable for 6 VDC to 230 VDC (+ at terminal A1)



#### SRD SGR2 M03

- Integrated freewheeling diode
- green LED
- Suitable for 6 VDC to 24 VDC(+ at terminal A1)



#### SRD SGR2 M05

- green LED
- Integrated reverse polarity protection
- Suitable for 6 VDC to 24 VDC (+ at terminal A1)

