

Mounting rail socket

SRD SIM4

for SIM4

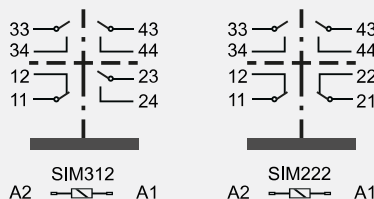


Features

- Plug-in socket with screw terminals
- For relay series SIM4
- Protective separation between coil and contacts
- With plastic retaining bracket
- Mounting
 - on mounting rail 35 mm (IEC 60715)
 - central mounting with 2 x M3 screw



Circuit diagram (top view)



Options, Accessories

none available

Insulation data

Rated insulation voltage (IEC 60664-1)	250 VAC
Basic insulation	— — — —
- Air and creepage distance (min.)	4 mm
- Test voltage	2500 V _{rms} / 1 min
Double or reinforced insulation	- - - - -
- Air and creepage distance (min.)	5,5 mm
- Test voltage	3000 V _{rms} / 1 min
Double or reinforced insulation	— — — —
- Air and creepage distance (min.)	14 mm
- Test voltage	4000 V _{rms} / 1 min
Creepage resistance	CTI 250
Pollution degree	2
Overvoltage category	III

Mechanical data

Weight	approx. 65 g
--------	--------------

Other data

Ambient temperature	-25 °C ... +70 °C
Approvals	cULus
UL File	E238167

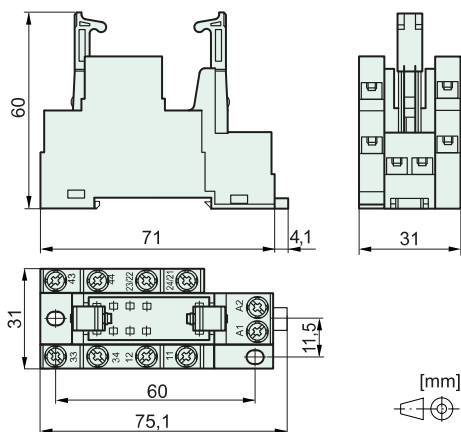
Mounting instructions

Mounting	on 35 mm mounting rail (IEC 60715)
Mounting	with 2 x screw M3
- Torque	max. 1,28 Nm

Product key

SRD	SIM4	
SRD	Socket type	Mounting rail socket
SIM4	Relay series	SIM4

Dimensions



Technical data

Limit continuous current*	8 A
Rated voltage	250 VAC
Connections:	
- Cross sections for wire	2 x 2,5 mm ²
- Cross sections for stranded wire	2 x 1,5 mm ²
- Torque	max. 0,8 Nm

*max. note max. contact load in the relay data sheet