

Mounting rail socket

SRD SGR2

for SGR282 ZK

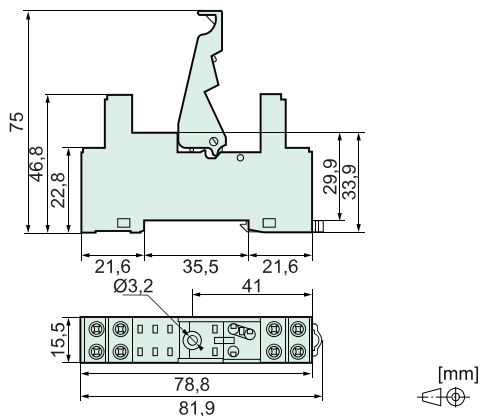


Features

- Plug-in socket with screw terminals
- For relay series SGR282 ZK (VAR1, VAR2)
- With plastic retaining bracket
- Identification plate (1 piece)
- Mounting
 - on mounting rail 35 mm (IEC 60715)
 - central mounting with M3 screw



Dimensions

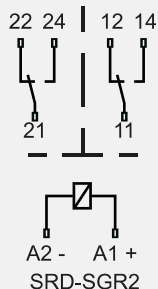


Technical data

| | |
|------------------------------------|-------------------------|
| Limit continuous current* | 8 A |
| Rated voltage | 300 VAC |
| Connections: | |
| - Cross sections for wire | 2 x 2,5 mm ² |
| - Cross sections for stranded wire | 2 x 1,5 mm ² |
| - Torque | max. 0,8 Nm |

*max. note max. contact load in the relay data sheet

Circuit diagram (top view)



Insulation data

| | |
|--|-------------------------------|
| Rated insulation voltage (IEC 60664-1) | 250 VAC |
| Basic insulation | — — — |
| - Air and creepage distance (min.) | 4 mm |
| - Test voltage | 2500 V _{rms} / 1 min |
| Creepage resistance | CTI 250 |
| Pollution degree | 2 |
| Overvoltage category | III |

Mechanical data

| | |
|--------|--------------|
| Weight | approx. 40 g |
|--------|--------------|

Other data

| | |
|---------------------|-------------------|
| Ambient temperature | -25 °C ... +70 °C |
| Approvals | UL, cUL |
| UL File | E140923 |

Mounting instructions

| | |
|----------|------------------------------------|
| Mounting | on 35 mm mounting rail (IEC 60715) |
| Mounting | with central fastening Screw M3 |
| - Torque | max. 1,28 Nm |

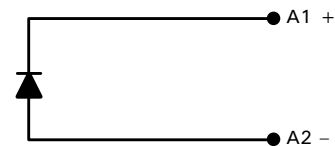
Product key

| SRD | SGR2 | Socket type | Mounting rail socket |
|------|--------------|-------------|----------------------|
| SGR2 | Relay series | SGR282 ZK | |

Options, Accessories

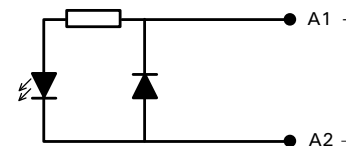
SRD SGR2 M01

- Integrated freewheeling diode
- Suitable for 6 VDC to 230 VDC (+ at terminal A1)



SRD SGR2 M03

- Integrated freewheeling diode
- green LED
- Suitable for 6 VDC to 24 VDC(+ at terminal A1)



SRD SGR2 M05

- green LED
- Integrated reverse polarity protection
- Suitable for 6 VDC to 24 VDC (+ at terminal A1)

