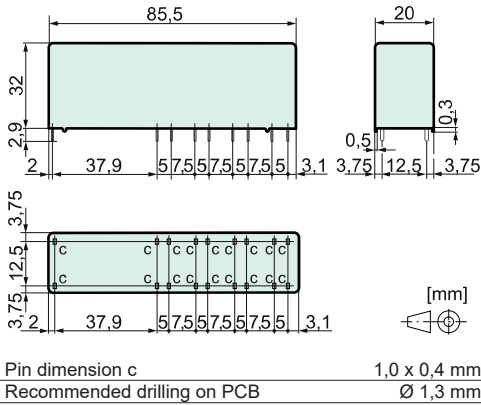


Features

- Relay with forcibly guided contacts according to IEC 61810-3
- Application type A
- Protective separation (see insulation data)
- Suitable for print mounting
- Small outer dimensions
- Contact assignment
SIR262: 2 NO + 6 NC, SIR442: 4 NO + 4 NC, SIR622: 6 NO + 2 NC, SIR352: 3 NO + 5 NC, SIR532: 5 NO + 3 NC, SIR712: 7 NO + 1 NC

Dimensions

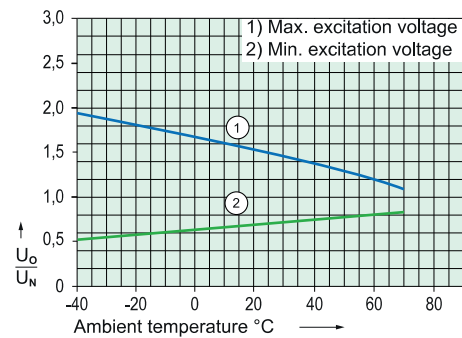


Coil data at 20 °C

Nominal power (typ.)	1,3 W
Holding power (typ.)	0,39 W
Coil limit temperature	120 °C

Nominal voltage (VDC)	Min. Pick-up voltage (VDC)	Min. Drop-out voltage (VDC)	Nominal current (mA)	Resistance (Ohm)
5,0	3,5	0,5	260	19 (1 ± 10 %)
12,0	8,4	1,2	109	110 (1 ± 10 %)
18,0	12,6	1,8	72	250 (1 ± 10 %)
24,0	16,8	2,4	55	440 (1 ± 10 %)
48,0	33,6	4,8	27	1760 (1 ± 10 %)
60,0	42,0	6,0	12	2750 (1 ± 13 %)
110,0	77,0	11,0	7	9250 (1 ± 15 %)

Excitation voltage range



Test conditions:

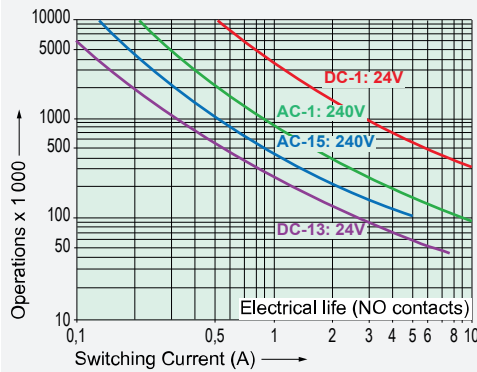
- Graph 1: Contact current 6 A MAX
- Graph 2: without previous operation
- Free-standing relay on PCB
- Duty cycle 100%

Contact data

Contact material	AgSnO ₂ + 0,2, ..., 0,4 µm Au
Contact type	crown contact
Rated switching power	2500 VA
250 V / 10 A / AC-1 (max.)	
Electr. life time (0,1 Hz, rel. duty cycle 10%)	100 000
Inrush current	25 A for 20 ms
Switching voltage range	5, ..., 250 V DC / AC
Switching current range*	10 mA, ..., 10 A
Switching power range*	60 mW, ..., 2500 W (VA)
Contact resistance as new (max.)	100 mΩ
Short circuit resistance of contacts**	1 000 A
with pre-fuse	SCPD 10 A gG / gL (fuse)

* Reference values ** Prospective short-circuit current

Electrical life (NO contacts)



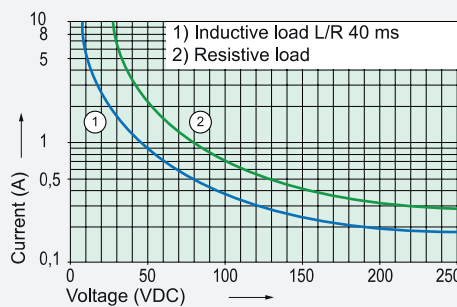
Switching capacity (IEC 61810-1)

AC-1:	240 V / 10 A MAX
AC-15:	240 V / 5 A MAX
DC-1:	24 V / 10 A MAX
DC-13:	24 V / 7,5 A / 0,1 Hz MAX

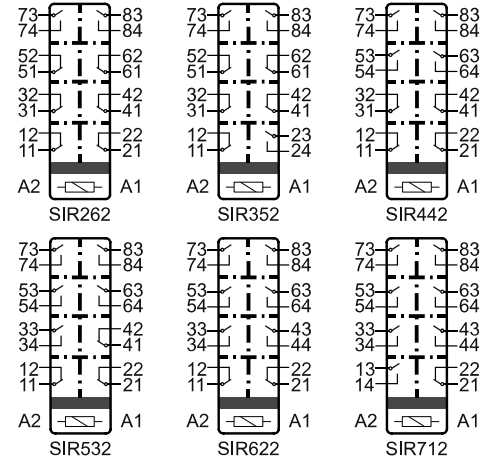
Switching capacity (UL 508)

Continuous current per contact at load of:	C600, R300
1 or 2 contacts	10 A MAX
3 contacts	8,4 A MAX
4 contacts	7,3 A MAX
5 contacts	6,5 A MAX
6 contacts	6 A MAX
7 contacts	5,5 A MAX

Contact load limit curve (DC)



Circuit diagram (top view)



Insulation data

Rated insulation voltage (IEC 60664-1)	250 VAC
Double or reinforced insulation	
- Air and creepage distance (min.)	8 mm
- Test voltage	4 000 V _{rms} / 1 min
Double or reinforced insulation	
- Air and creepage distance (min.)	10 mm
- Test voltage	5 000 V _{rms} / 1 min
Open contact: Test voltage*	1 500 V _{rms} / 1 min
Creepage resistance	CTI 250
Pollution degree	2
Overvoltage category	III
Insulation resistance (min.)	100 MΩ
- Test voltage	500 VDC

* Initial value

Mechanical data

Mechanical lifetime (min.)	10 x 10 ⁶ operations
Switching frequency (max.)	15 Hz
Response time (NO closed) (typ.)	15 ms
Drop-out time (NC closed) (typ.)*	4 ms
Bounce time (typ.)	NO: 6 ms / NC: 12 ms
Shock resistance (16 ms) (min.)	NO: 10g / NC: 6g
Vibration resistance (10-200 Hz) (min.)	NO: 8g / NC: 2,5g
Weight	approx. 60 g
Mounting position	any
Mounting distance (min.)	5 mm

* without coil wiring

Other data

Ambient temperature	-40 °C, ..., +70 °C
Thermal resistance	40 K / W
Protection class	RT II
Solder bath temperature	270 °C / 5 s
Test method (heating)	A (group assembly)
Approvals	cULus, TÜV
Flammability class	UL 94 V-0
UL File	E188953 Sec. 3

Options, Accessories

Other coil designs	possible
Coils accord. to EN 50155 (railway applications)	possible

Product key

SIR 3 5 2 24VDC XX

SIR	Type designation	
3	Number of contacts NO	
5	Number of contacts NC	
2	Connection technology	2 = Solder terminals
24VDC	Nominal coil voltage	
XX	Options	