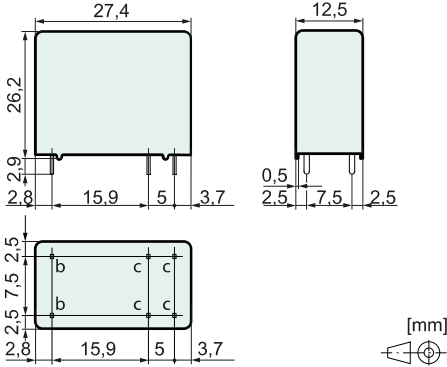


### Features

- Relay with forcibly guided contacts according to IEC 61810-3
- Application type A
- Protective separation (see insulation data)
- Suitable for print mounting
- Contact assembly  
SIM112: 1 NO + 1 NC

### Dimensions



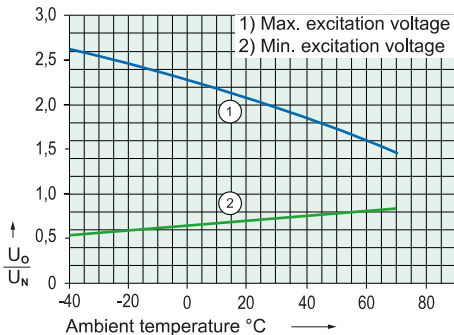
Pin dimension b	1,0 x 0,3 mm
Pin dimension c	1,0 x 0,4 mm
Recommended drilling on PCB	Ø 1,3 mm

### Coil data at 20 °C

Nominal power	0,5 W
Holding power	0,15 W
Coil limit temperature	120 °C

Nominal voltage (VDC)	Min. Pick-up voltage (VDC)	Min. Drop-out voltage (VDC)	Nominal current (mA)	Resistance (Ohm)
5,0	3,5	0,5	111	45 (1 ± 10 %)
12,0	8,4	1,2	44	270 (1 ± 10 %)
18,0	12,6	1,8	28	640 (1 ± 10 %)
24,0	16,8	2,4	29	1 100 (1 ± 10 %)
48,0	33,6	4,8	11	4 400 (1 ± 13 %)
60,0	42,0	6,0	9	6 850 (1 ± 15 %)
110,0	77,0	11,0	6	20 000 (1 ± 15 %)

### Excitation voltage range



### Test conditions:

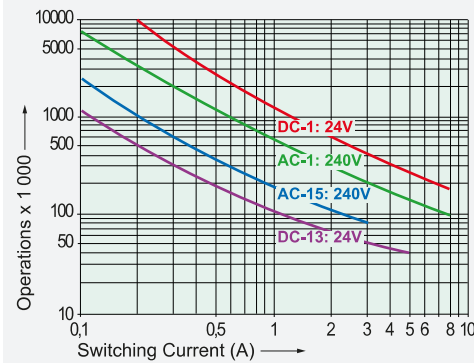
- Graph 1: Contact current 6 A MAX
- Graph 2: without previous operation
- Free-standing relay on PCB
- Duty cycle 100%

### Contact data

Contact material	AgSnO <sub>2</sub> + 0,2, ..., 0,4 µm Au
Contact type	crown contact
Rated switching power	2000 VA
250 V / 8 A / AC-1 (max.)	
Electr. life time (0,1 Hz, rel. duty cycle 10%)	100 000
Inrush current	20 A for 20 ms
Switching voltage range	5, ..., 250 V DC / AC
Switching current range*	10 mA, ..., 8 A
Switching power range*	60 mW, ..., 2000 W (VA)
Contact resistance as new (max.)	100 mΩ
Short circuit resistance of contacts**	1000 A
with pre-fuse	SCPD 10 A gG / gL (fuse)

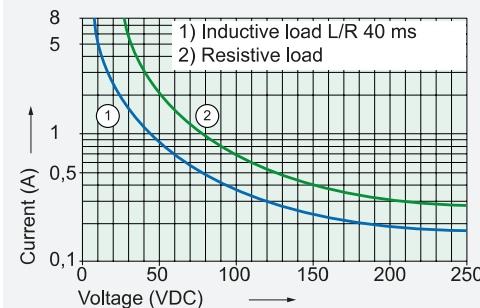
\* Reference values \*\* Prospective short-circuit current

### Electrical life (NO contacts)

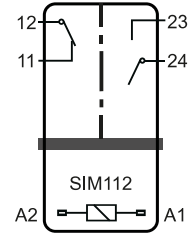


Switching capacity (IEC 61810-1)	
AC-1:	240 V / 8 A MAX
AC-15:	240 V / 3 A MAX
DC-1:	24 V / 8 A MAX
DC-13:	24 V / 6 A / 0,1 Hz MAX
Switching capacity (UL 508)	C150, R300
Continuous current per contact at load of:	
1 contact	8 A MAX

### Contact load limit curve (DC)



### Circuit diagram (top view)



### Insulation data

Rated insulation voltage (IEC 60664-1)	250 VAC
Double or reinforced insulation	---
- Air and creepage distance (min.)	5,5 mm
- Test voltage	4000 V <sub>rms</sub> / 1 min
Double or reinforced insulation	---
- Air and creepage distance (min.)	14 mm
- Test voltage	5000 V <sub>rms</sub> / 1 min
Open contact: Test voltage*	1500 V <sub>rms</sub> / 1 min
Creepage resistance	CTI 250
Pollution degree	2
Overvoltage category	III
Insulation resistance (min.)	100 MΩ
- Test voltage	500 VDC

\* Initial value

### Mechanical data

Mechanical lifetime (min.)	10 x 10 <sup>6</sup> operations
Switching frequency (max.)	15 Hz
Response time (NO closed) (typ.)	10 ms
Drop-out time (NC closed) (typ.)*	3 ms
Bounce time (typ.)	NO: 6 ms / NC: 12 ms
Shock resistance (16 ms) (min.)	NO: 10g / NC: 2,5g
Vibration resistance (10-200 Hz) (min.)	NO: 10g / NC: 1g
Weight	approx. 20 g
Mounting position	any
Mounting distance (min.)	5 mm

\* without coil wiring

### Other data

Ambient temperature	-40 °C, ..., +70 °C
Thermal resistance	55 K / W
Protection class	RT II
Solder bath temperature	270 °C / 5 s
Test method (heating)	A (group assembly)
Approvals	cULus, TÜV
Flammability class	UL 94 V-0
UL File	E188953 Sec. 3

### Options, Accessories

Other coil designs	possible
--------------------	----------

### Product key

SIM	1	1	2	24VDC	XX
SIM	Type designation				
1	Number of contacts NO				
1	Number of contacts NC				
2	Connection technology				
24VDC	Nominal coil voltage				
XX	Options				